

KAKADU 2 Assembly Instructions





KAKADU 2 - 3520mm

KAKADU 2 Content List

Carcass Boxes

1 x HN1110DWF (Fridge Unit Cabinet)

1 x HN12502BQ (BBQ Unit Cabinet)

1 x HN11102D (Sink Unit Cabinet)

Door Boxes

1 x HN1110DWF – Kicker/Infills

1 x HN12502BQ – Door/Kicker

1 x HN11102D – Door/Kicker

Stone Tops

8 pieces A-H

Appliances & Accessories

1 x EA900WFSX (Beverage Cooler)

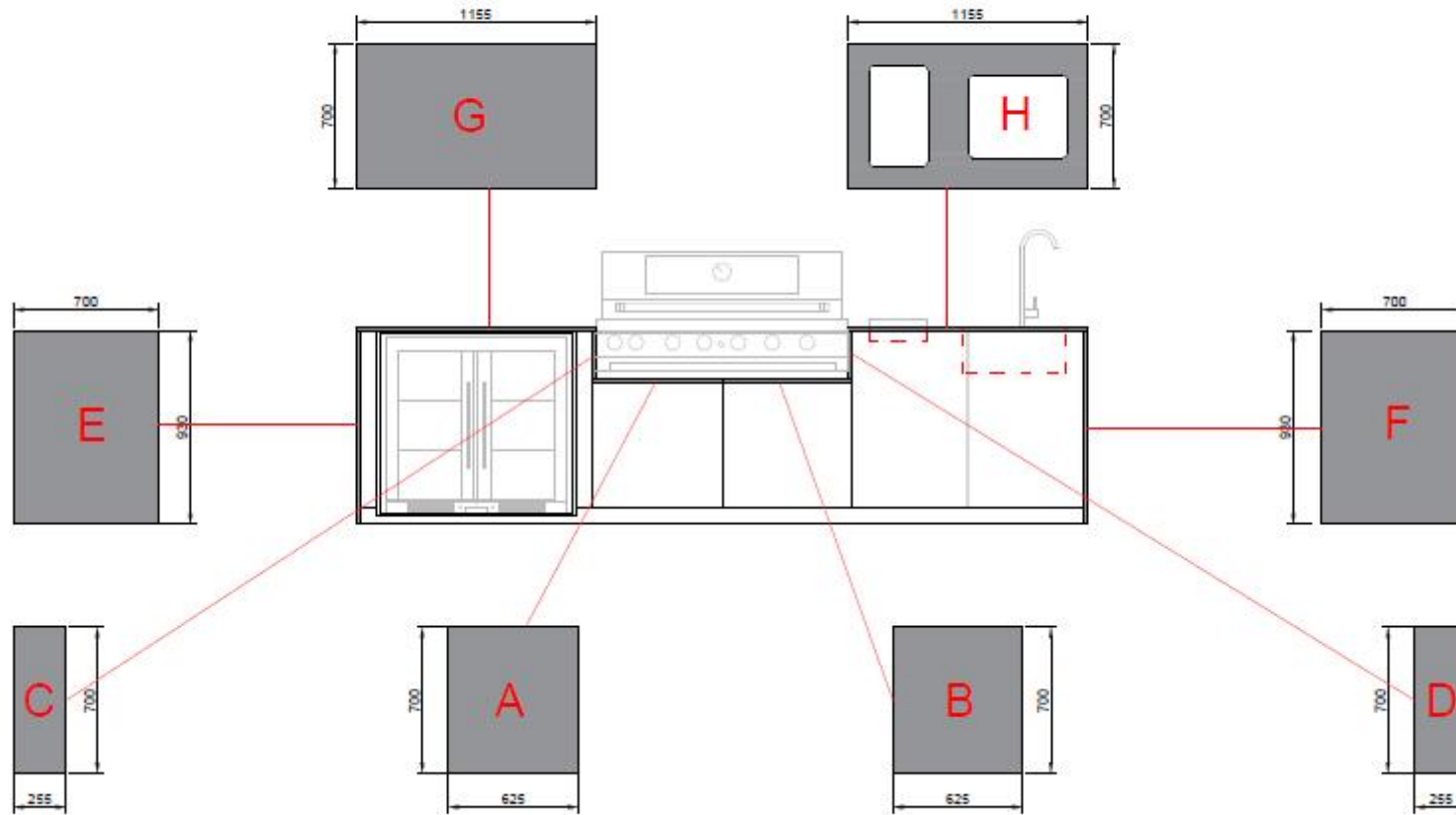
1 x HN1200RBQ (6 Burner BBQ Hooded)

1 x EMJG30WSX (Domino Wok Burner)

1 x ES510UM (Undermount Sink)

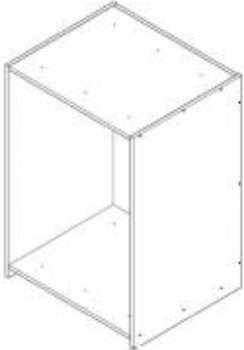
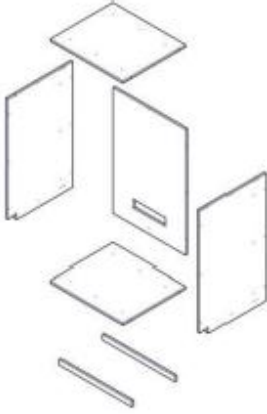


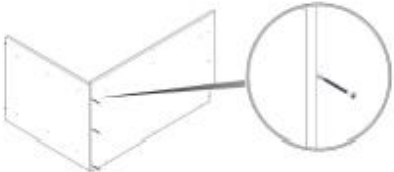
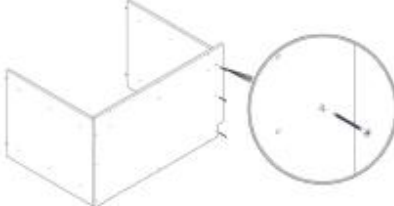



1 x PC1001SB (Sink Mixer)

KAKADU 2




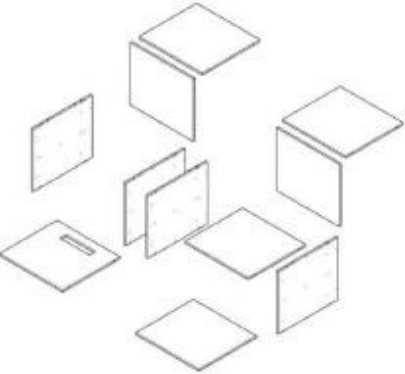















Carcass Assembly

Assemble Fridge Unit Cabinet HN1110DWF as per assembly instructions provided using hardware supplied

Assembly Instructions Suitable for 960 Fridge Base 	Panels Included 	Required Tools 	Hardware Supplied								
Hardware Supplied	Hx4 	Fx3 	Fx3 		Fx26		Hx8				
	Hx8										


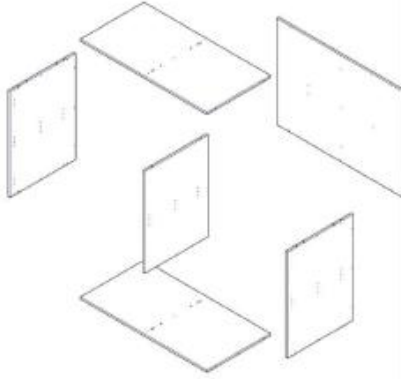
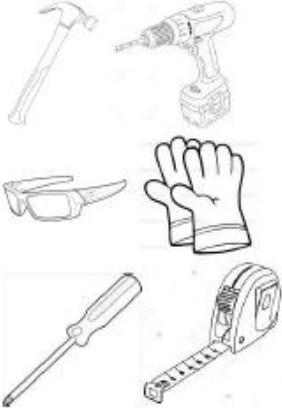




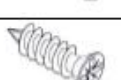




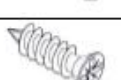


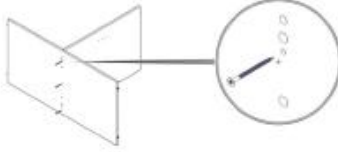




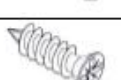




Carcass Assembly

Assemble BBQ Unit Carcass HN12502BQ as per assembly instructions provided using hardware supplied

Assembly Instructions		Panels Included		Required Tools		Hardware Supplied	
Suitable for 1250mm BBQ Base Unit 						 Ax8  Bx8  Cx4  Dx4	
Hardware Supplied		Hardware Supplied		Hx4		Hx4	
	Ex2		Jx1				
	Fx58		Kx4				
	Gx16		Lx4				
	Hx20						
	Ix4						

Carcass Assembly

Assemble Sink Unit Carcass HN11102D as per assembly instructions provided using hardware supplied

Assembly Instructions Suitable for 1110mm Base Unit (2 Door) 	Panels Included 	Required Tools 	Hardware Supplied											
Hardware Supplied <table border="1" data-bbox="302 927 674 1418"> <tr> <td></td> <td>Ex2</td> </tr> <tr> <td></td> <td>Fx59</td> </tr> <tr> <td></td> <td>Gx12</td> </tr> <tr> <td></td> <td>Hx16</td> </tr> <tr> <td></td> <td>Ix4</td> </tr> </table>		Ex2		Fx59		Gx12		Hx16		Ix4	Hx4 	Hx4 	Fx3 	
	Ex2													
	Fx59													
	Gx12													
	Hx16													
	Ix4													
				Ax6										
				Bx6										
				Cx4										
				Dx4										

Carcass Installation

Floor Check

Using a spirit level (1200mm min) check the floor where you are planning to install the carcass units. Mark with a pencil indicating the highest and lowest sections of the floor



Carcass Installation

Wall layout

Refer to the KAKADU 2 kitchen layout (pg. 2) and mark the cabinetry unit widths and heights making allowance for 20mm thickness of stone.

The finished joinery height recommended is 950mm



Carcass Installation

Placement and Connection of Carcass Units

Starting with HN1110DWF place the unit in desired position and level off to the recommended height as marked on wall layout allowing 120mm void from the back of the unit to the wall to allow for services void (drill through service point as required)

Place HN12502BQ unit in desired position and level off to the recommended height using adjustable legs allowing approx 100mm void from the back of the unit to the wall for services void. (drill through service point as required) Once in place screw together both units using 28mm 8g wood screws (x4)

Place HN11102D unit in desired position and level off to the recommended height using adjustable legs allowing approx 100mm void from the back of the unit to the wall for services void. (drill through service point as required) Once in place screw together both units using 28mm 8g wood screws (x4)

Check levels across all 3 connected cabinets and fix down to floor through adjustable leg base using a 6mm x 40mm concrete plug and 28mm screw

Stone Top Installation

Gluing of Stone Tops

Starting with stone pieces A&B place pieces one by one on HN12502BQ allowing 20mm past the front of the carcass. Using neutral cure clear silicone apply 10mm diameter dollops and apply pressure to tops

Apply stone piece C to side of HN1110DWF sitting on Stone piece A (silicone off)

Apply stone piece D to side of HN11102D sitting on stone piece B (silicone off)

Ensure alignment of stone pieces A-D

Apply stone piece E to side of HN1110DWF ensuring that top of stone is flush with top of joinery unit (silicone off)

Apply stone piece F to side of HN11102D ensuring that top of stone is flush with top of joinery unit (silicone off)

Apply stone piece G to top of HN1110DWF ensuring alignment with stone piece E&C (silicone off)

Apply stone piece H to top of HN11102D ensuring alignment with stone piece D&F (silicone off)

Door & Kicker Installation

Door Hanging

Starting with door pack HN12502BQ screw hinges on the 2 doors using pre-drilled holes and M5 screws provided. Attach doors to clip on plates located on the carcass sides

Repeat the above steps for door pack HN11102D

Infill Placement

Attach infill pieces from door pack HN1110DWF with neutral cure clear silicone and press in position

Kicker Placement

Starting with HN1110DWF kicker apply neutral cure silicon to leg bases and blocks and press in position

Align HN12502BQ kickers and HN11102D kickers and repeat the above steps

Appliance & Accessory Placement

Beverage Cooler

Unpack and slide EA900WFSX (Beverage Cooler) into HN1110DWF
(ready for installation by qualified electrician)

BBQ

Unpack and place HN1200RBQ (6 Burner BBQ Hooded) on to HN12502BQ
(ready for installation by qualified gas fitter)

WOK

Unpack and place EMJG30WSX (Domino Wok Burner) on to HN11102D
(ready for installation by qualified gas fitter)

Sink & Tap

Unpack and place ES510UM (Undermount Sink) and PC1001SB (Sink Mixer) into
HN11102D
(ready for installation by qualified plumber)